

Watch Movement Specification and Drawing

MULTI - FUNCTION

Cal. VX3HE

Movement Size

10 1/2'''

Casing Diameter

Ø 23.3mm

Height

3.05mm

Battery Life

3 years

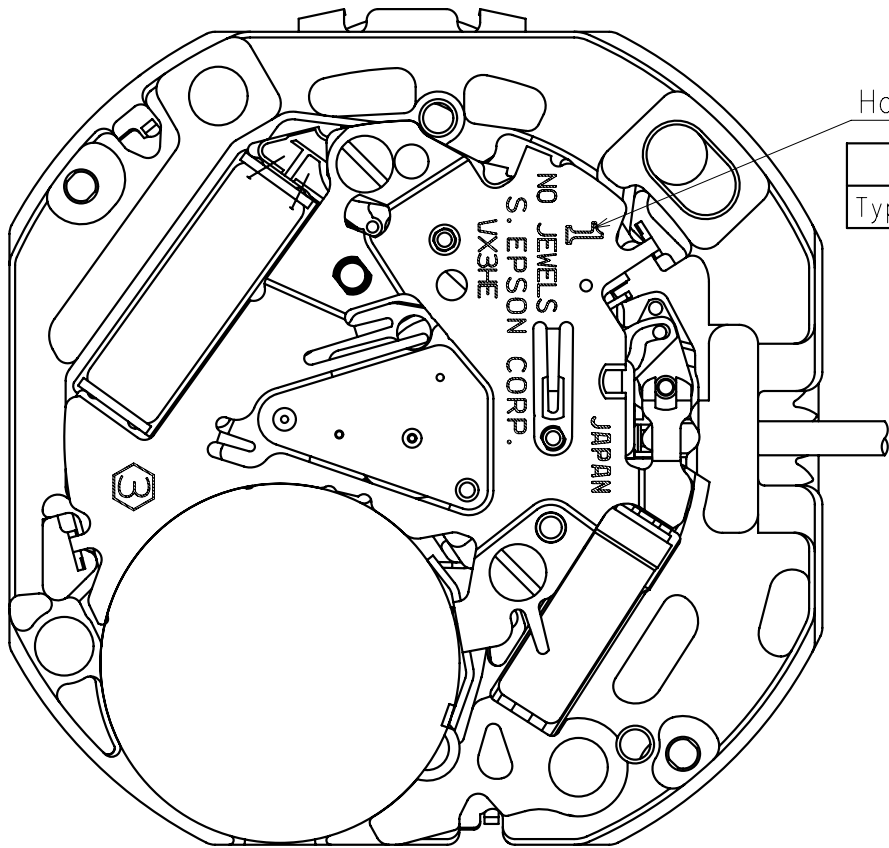


Date: 18/Sep./'20

Cal. VX3HE

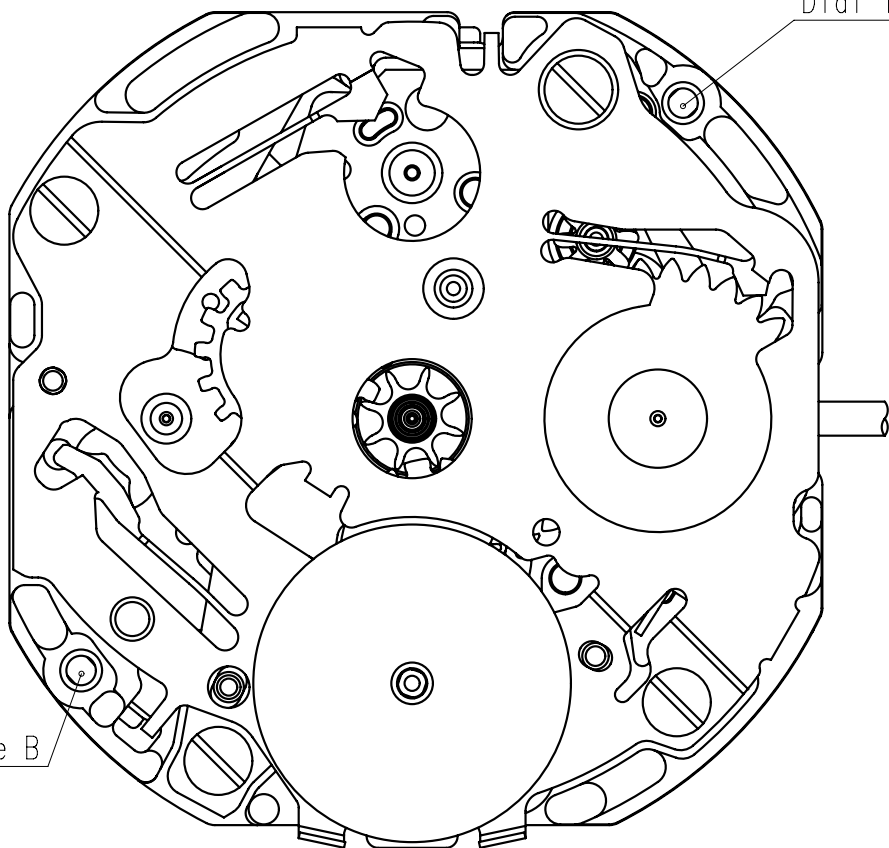
Items	Rev.	Page
Specifications	02	1
Appearance	01	2
Casing	01	3
Hand fitting	03	4
Hand setting stem	01	5
Dial	01	6
Casing ring	01	7
Operation	00	8

Cal. VX3HE	Specifications	Date : 18/Sep./'20
		Rev. : 02
Analog Quartz 10 1/2" Slim Movement / 3 hands (H/M/S) and 3 eyes with Day / Date / 24 Hour Rotary Disc (Sun & Moon) indicators		
1. MOVEMENT DIMENSIONS		
Outside diameter Casing diameter Total height	ϕ 24.00mm × 21.50mm(3-9H) × 22.10mm(12-6H) ϕ 23.30mm × 21.30mm(3-9H) × 21.50mm(12-6H) 3.05mm (including battery)	
2. TIME STANDARD		
Type of quartz oscillator Frequency of quartz oscillator Accuracy Operating temperature range Regulation device	Tuning fork 32,768 Hz ±20 seconds per month (on wrist) -5°C to +50°C Nil (Pre-adjusted)	
3. INDICATOR / FUNCTIONS		
3 Hands 2 Small hands 24 Hour Rotary Disc Reset switch Setting mechanism	Hour / Minute / Second Day (9H) / Date (3H) Sun & Moon indication Crown at normal position : Free Crown pulled out 1st click : Instant date change Crown pulled out 2nd click : Time setting (Day change) / Reset	
4. FEATURES		
Jewels Anti-magnetism Maximum unbalance of hands	0 Jewels Over 1600A/m (Direct current magnetic field) Second hand : 0.07 μ N·m Minute hand : 0.65 μ N·m Hour hand : 0.5 μ N·m	
5. BATTERY		
Type / Size Recommended battery Nominal voltage Battery life Driving current consumption Operation stopping voltage	Silver oxide battery / ϕ 9.5mm × t 2.0mm SR920SW (Maxell, Murata, Seizaiken) 1.55 V Approx. 3 years Approx. 1.6 μ A 1.1 V	
6. SEPARATED PARTS (Parts code)		
Hand setting stem Battery	0351177 or 0351578 SR920SW	
7. TEST OF ACCURACY		
Equipment to be used Duration of measurement Microphone to be used	SEIKO quartz tester QT-99, Greiner quartz timer-C , Witschi Q-tester 4000 10 seconds Electromagnetic detection type	
All specifications are subject to change without notice.		



Hands type

	Mark
Type S (1)	1

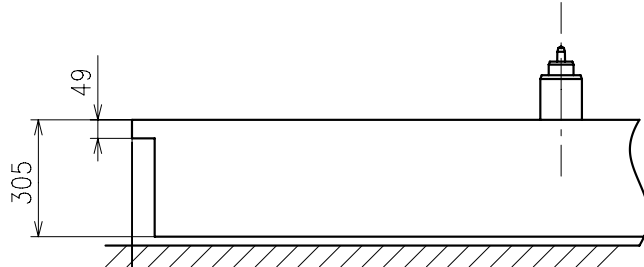
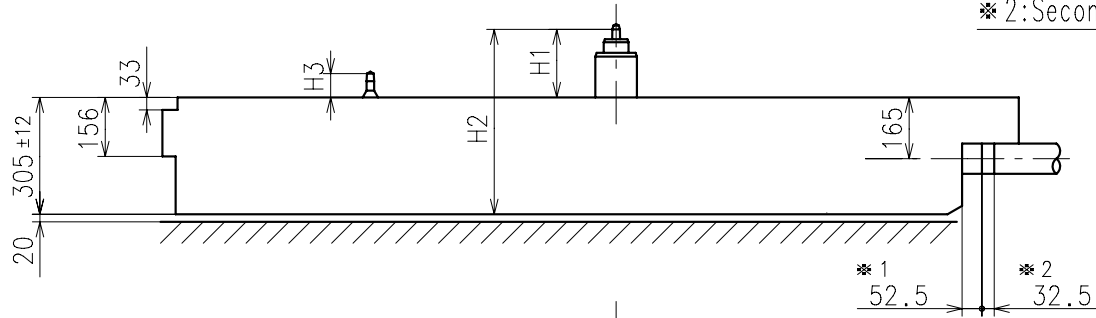


Dial leg hole A

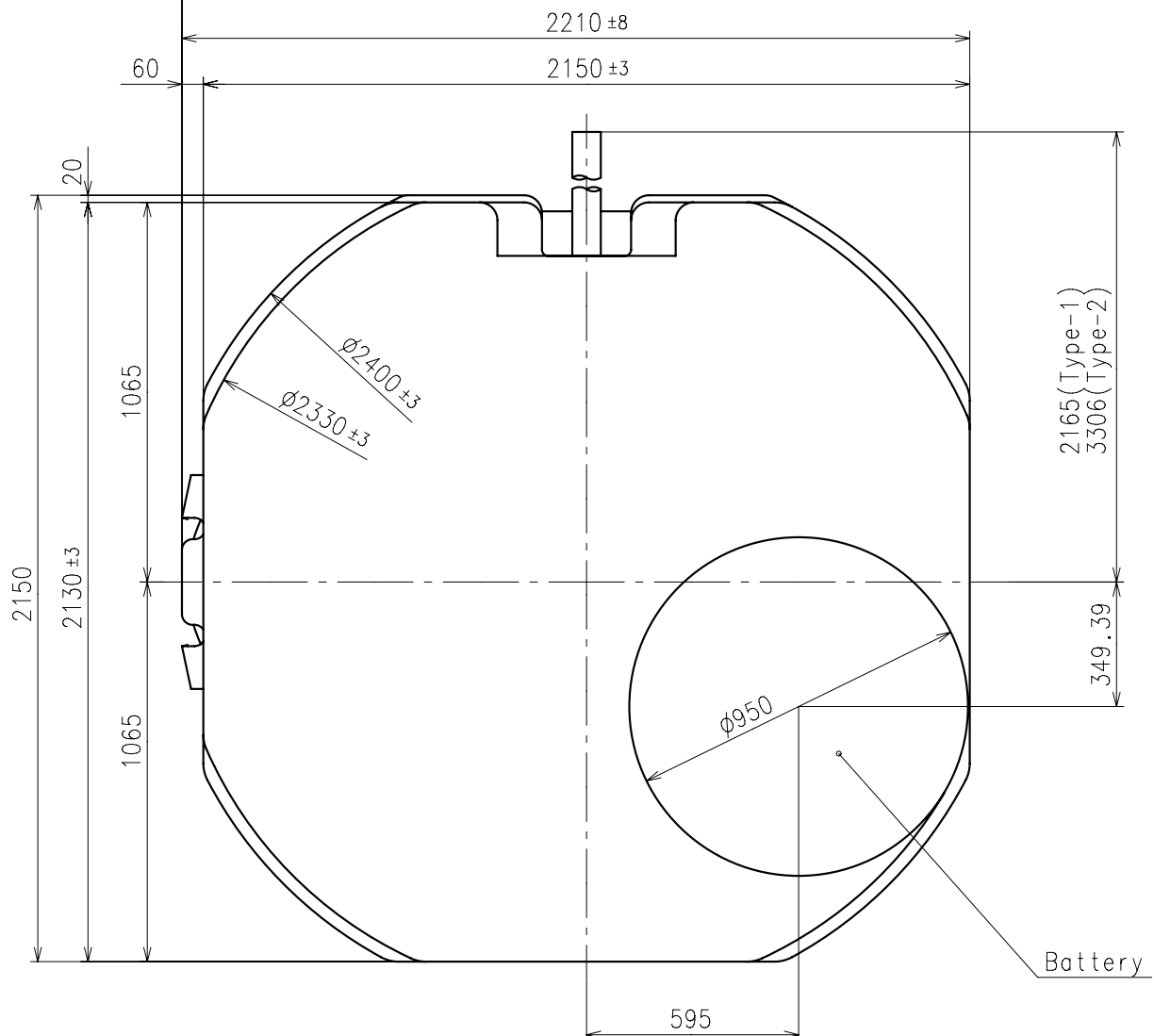
Dial leg hole B

*1: First pullout stroke

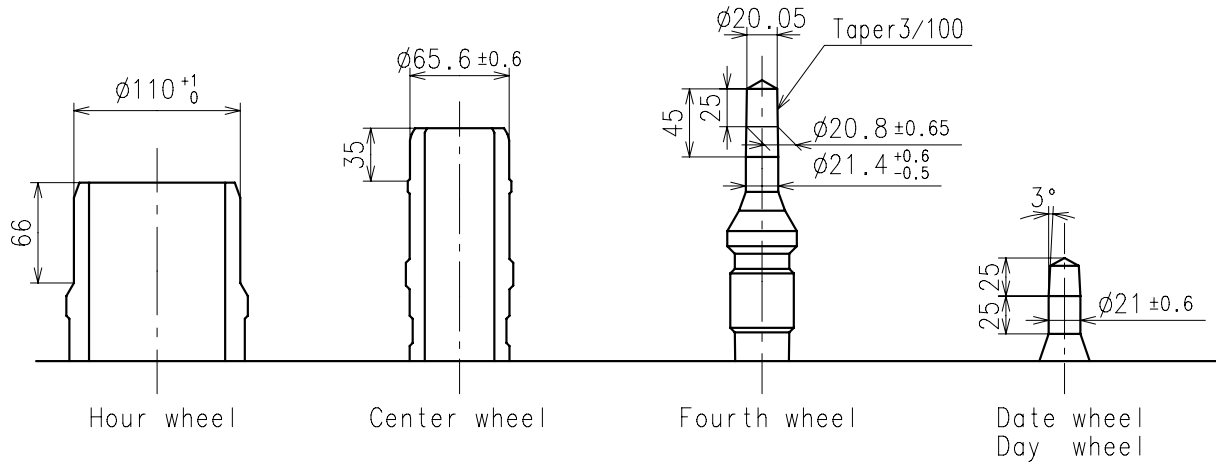
*2: Second pullout stroke



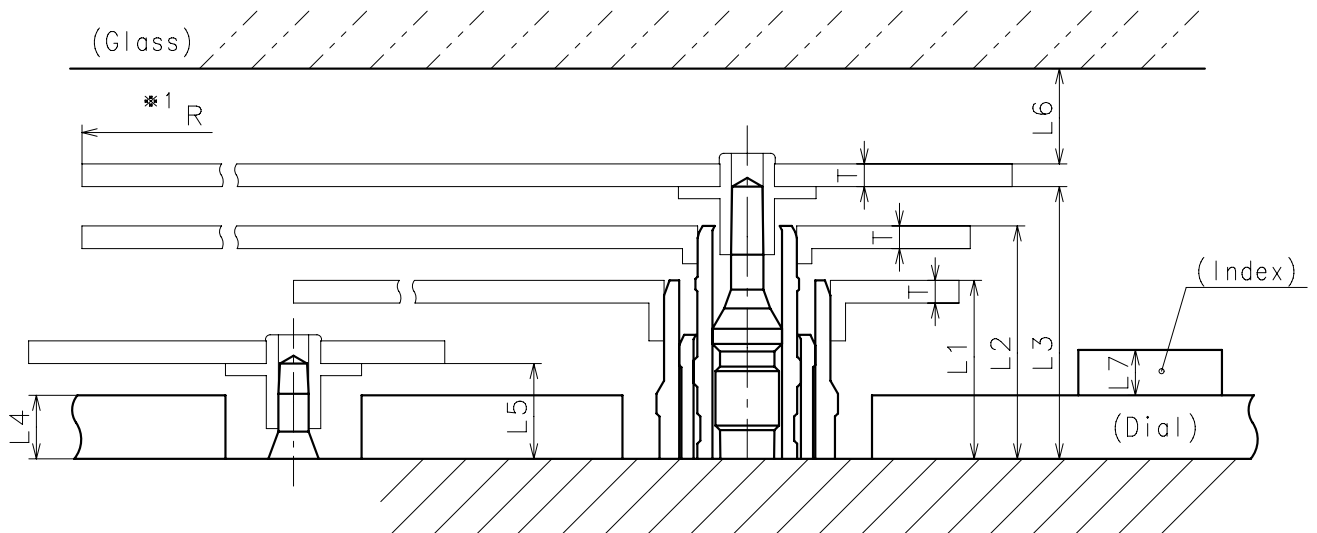
Center post		Type S (1) VX3HE1
Maximum height from dial support	H1	180
Total height including movement	H2	485
Maximum height from dial support	H3	63



- * Hour hand unbalance $\leq 0.5\mu \text{ N}\cdot\text{m}$ ($50\mu \text{ g}\cdot\text{m}$)
- * Minute hand unbalance $\leq 0.65\mu \text{ N}\cdot\text{m}$ ($65\mu \text{ g}\cdot\text{m}$)
- * Second hand unbalance $\leq 0.07\mu \text{ N}\cdot\text{m}$ ($7\mu \text{ g}\cdot\text{m}$)

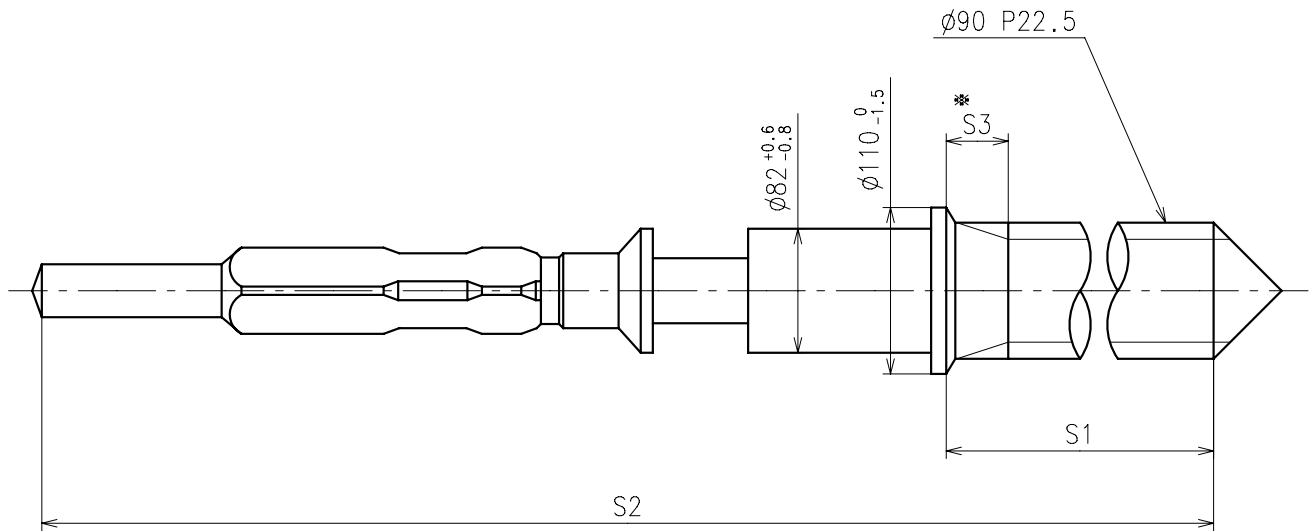


	Parts No.				
	Hour wheel	Center wheel	Fourth wheel	Date wheel	Day wheel
Type S (1) VX3HE1	0271563	0221575	0241528	0970538	1002546



	L1	L2	L3	L4	L5	L6	L7	T	*1 R
Type S (1) VX3HE1	118	154	180	40	63	MIN: 50	MAX: 30	15	MAX: 1250

*1: It is the size taken into consideration for hands attachment.
Please observe some standard value specified in unbalance when using long hands.

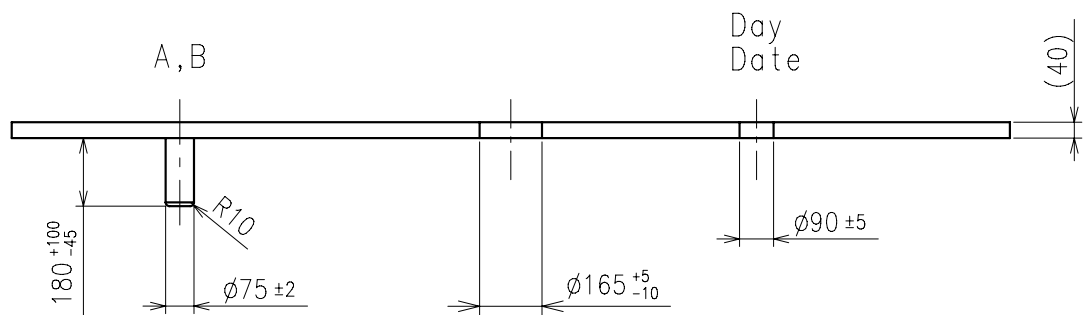
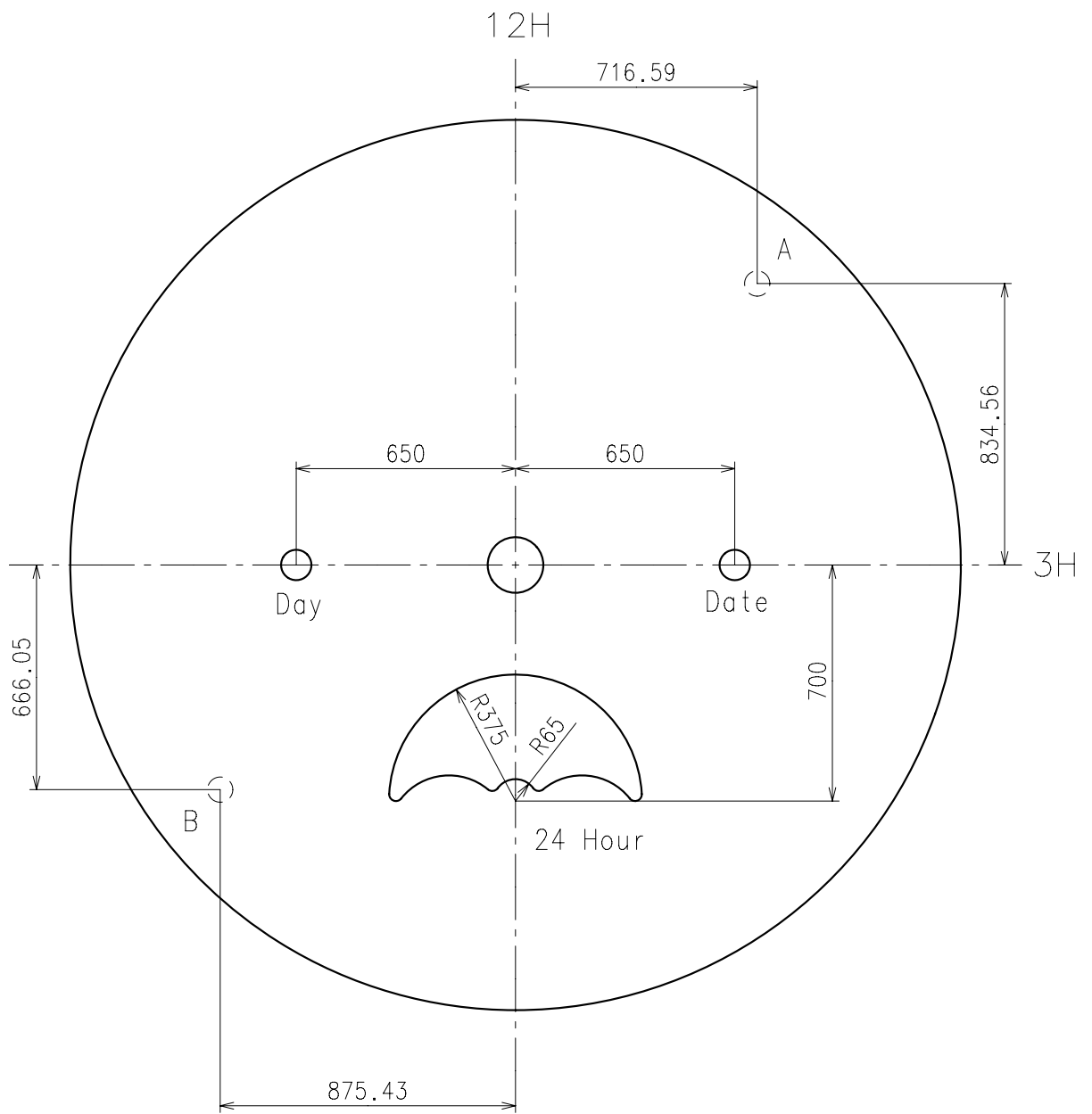


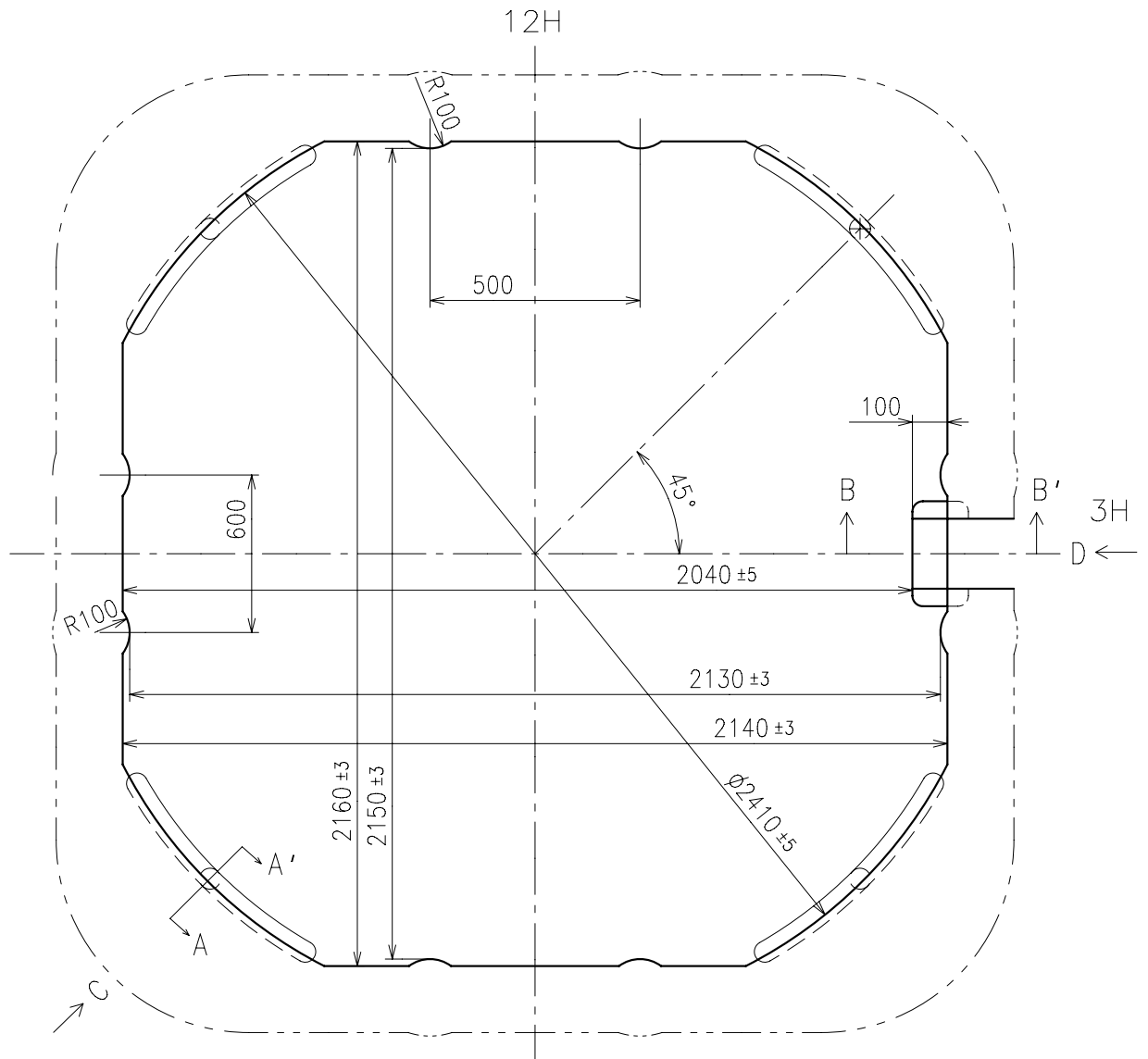
※ Not threaded

	Part No.	S1	S2	※ S3
Type-1 (Standard)	0351177	1366	1964	60
Type-2	0351578	2507	3105	650

Material : Steel

Hardness : Vickers 600±50



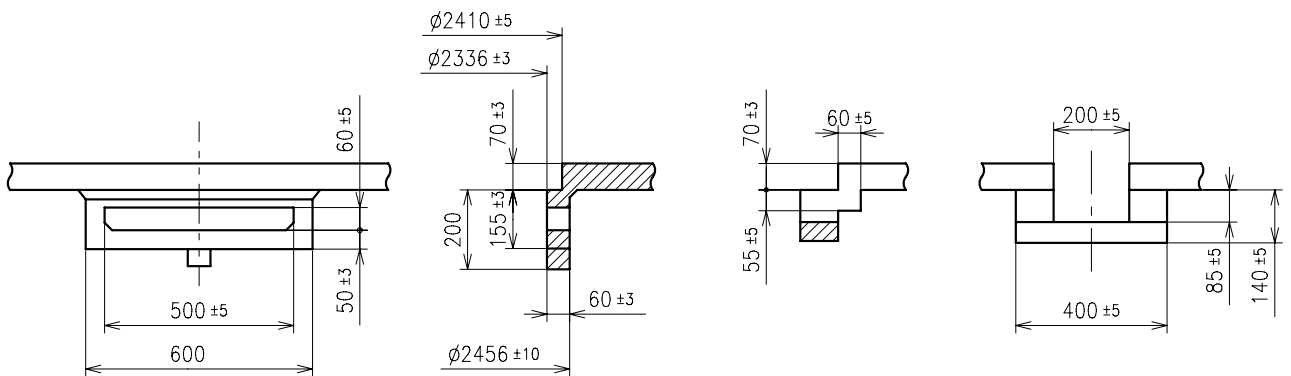


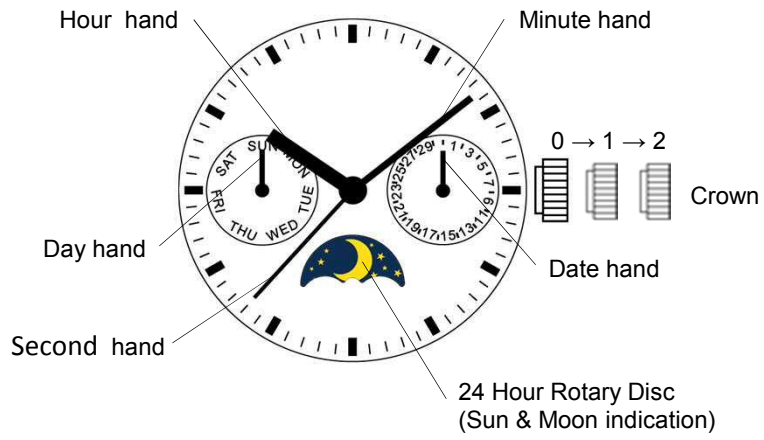
C view

A-A' section

B-B' section

D view





		Crown position		
		0 click	1st click	2nd click
Crown	Free		Turn counterclockwise for date change	Time setting (Day change)