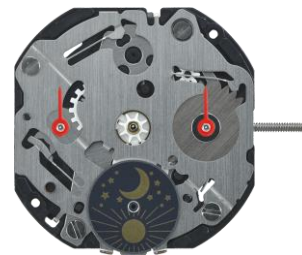
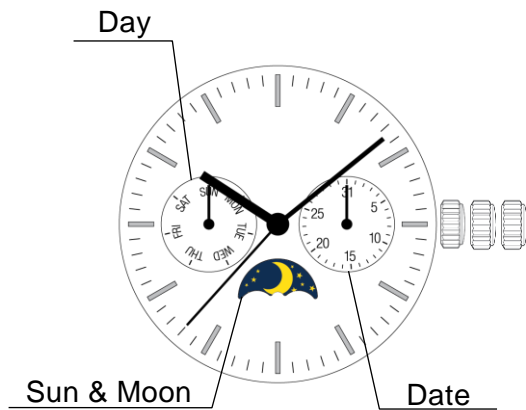


Watch Movement Parts List and Disassemble Guide

Cal. VX3HE

MULTI-FUNCTION

- Day / Date
- Sun & Moon



MOVEMENT SPECIFICATIONS

Movement Size 10 1/2'''

Height 3.05mm

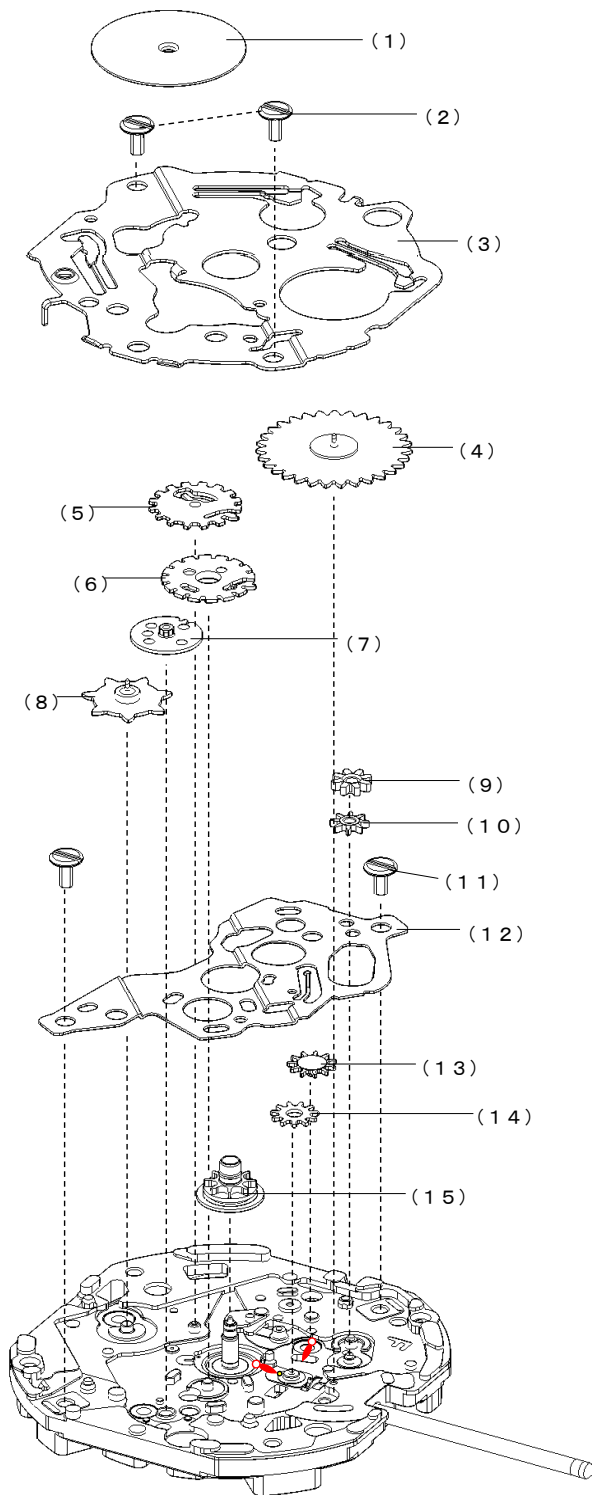
Casing Diameter Ø 23.3mm

Battery Life 3 years

Cal.VX3HE Parts List / 零件一览表

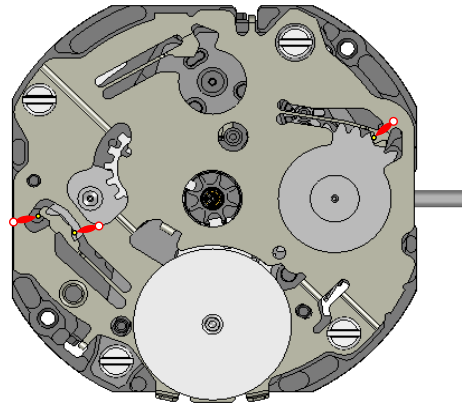
No.	PARTS NAME	CHINESE(简体字)	QTY	VX3HE1
(1)	24hour indicator	24小时表示板	1	1023 ***
(2)	Calendar cover screw	螺丝	2	0022 222
(3)	Calendar cover	日历夹板	1	0839 507
(4)	Date star wheel	日历星轮	1	0970 538
(5)	Day indicator driving wheel	星期推动轮	1	0802 570
(6)	Date indicator driving wheel	日历推动轮	1	0802 535
(7)	24 hour wheel	24小时轮	1	0157 542
(8)	Day wheel	小星期轮	1	1002 546
(9)	Date corrector wheel	日历修正轮	1	0804 570
(10)	Intermediate date corrector wheel	日历修正中间轮	1	0817 539
(11)	Screw	螺丝	1	0022 222
(12)	Hour wheel plate	时轮夹板	1	0376 506
(13)	Calendar corrector setting wheel	日历修正轮	1	0737 909
(14)	2nd calendar corrector setting transmission wheel	第二日历修正传动轮	1	0962 909
(15)	Hour wheel	时轮	1	0271 563
(16)	Battery	电池	1	3013 140
(17)	Screw	螺丝	2	0022 247
(18)	Battery connection(+)	正极片	1	4268 730
(19)	Circuit block	电路板	1	4000 760
(20)	Train wheel bridge	轮列夹板	1	0125 904
(21)	Fourth wheel & pinion	四号轮	1	0241 528
(22)	Third wheel & pinion	三号轮	1	0231 904
(23)	Fifth wheel & pinion	五号轮	1	0701 904
(24)	Rotor	转子	1	4146 890
(25)	Minute wheel	度数轮	1	0261 908
(26)	Train wheel setting lever	轮组止动竿	1	0391 890
(27)	Setting lever	鸡头	1	0383 891
(28)	Yoke	横担	1	0384 890
(29)	Setting wheel	拨针轮	1	0281 904
(30)	Setting stem (standard)	把芯 (标准)	1	0351 177
	Setting stem (long)	把芯 (长)	1	0351 578
(31)	Clutch wheel	猪笼轮	1	0282 890
(32)	1st calendar corrector setting transmission wheel	第一日历修正传动轮	1	0962 890
(33)	Screw	螺丝	1	0022 247
(34)	Coil block	线圈	1	4002 760
(35)	Stator	定子	1	4239 904
(36)	Center wheel & pinion	中心轮	1	0221 575
(37)	Battery insulating plate(C)	电池绝缘片C	1	4216 904
(38)	Battery connection(-)	负极片	1	4270 904

Cal.VX3HE,3WE DISASSEMBLE CHART (1)

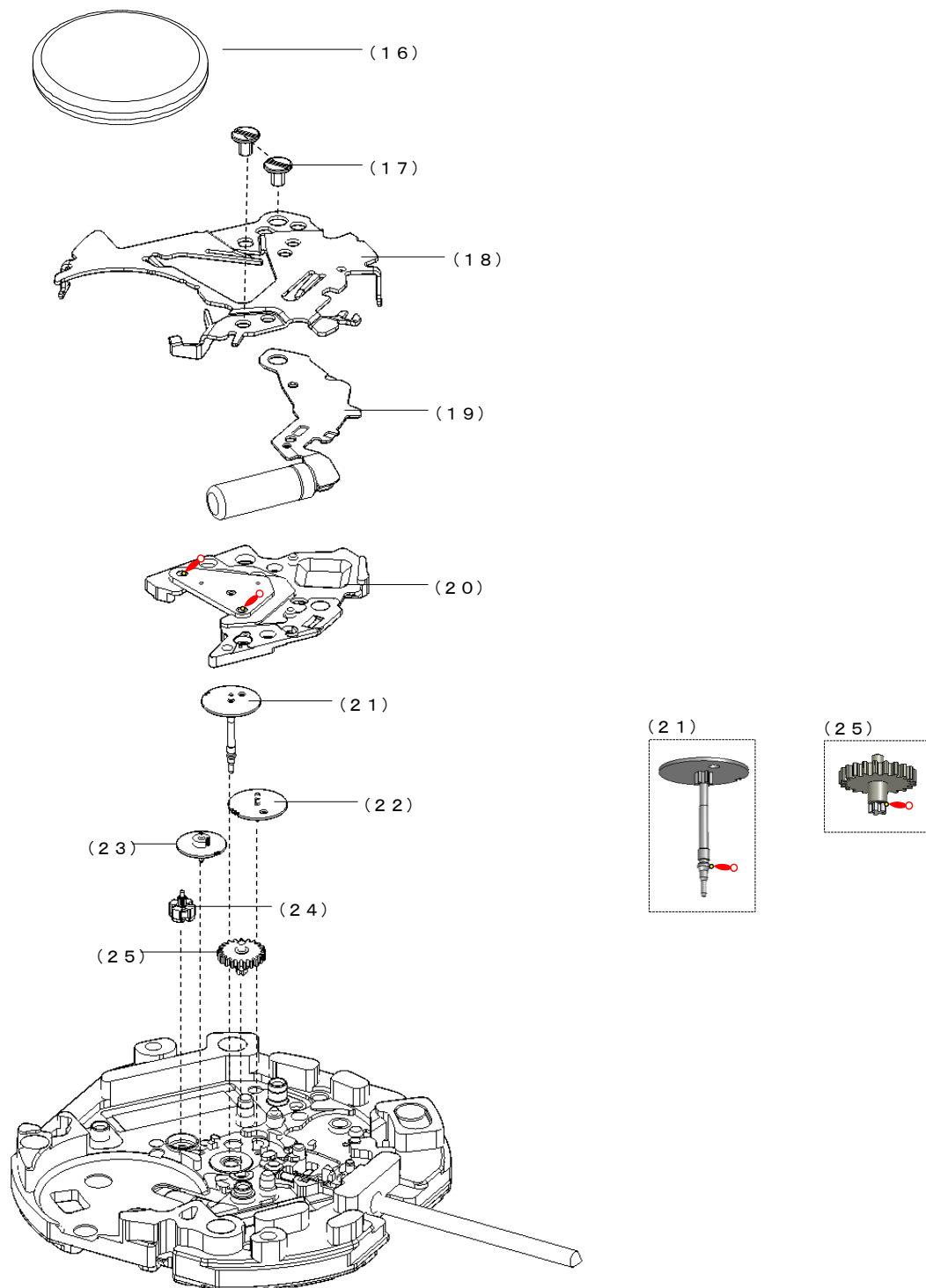


[Lubrication]

A-Lube_Oil



Cal.VX3HE,3WE DISASSEMBLE CHART (2)



Cal.VX3HE,3WE DISASSEMBLE CHART (3)

